

Technical data sheet

Product features



Pizza oven 2 chambers 12x d=33 cm

Model	SAP Code	00007283
--------------	-----------------	----------



- Pizza capacity [cm]: 12x 33 cm
- Stoneplates: Bottom and top
- Stone plates thickness [mm]: 14
- Material: Stainless steel
- Control type: Mechanical
- Type of handle: in the entire length of the door, stainless steel
- Steam protection: Yes
- Independent heating zones: Separate control for each chamber
- Type of construction: two-story
- Chimney for moisture extraction: Yes
- Adjustable chimney: Yes
- Interior lighting: Yes

SAP Code	00007283	Minimum device temperature [°C]	50
Net Width [mm]	975	Maximum device temperature [°C]	450
Net Depth [mm]	1185	Width of internal part [mm]	700
Net Height [mm]	763	Depth of internal part [mm]	1050
Net Weight [kg]	178.00	Height of internal part [mm]	150
Power electric [kW]	14.400	Pizza capacity [cm]	12x 33 cm
Loading	400 V / 3N - 50 Hz		

Technical data sheet

Technical drawing

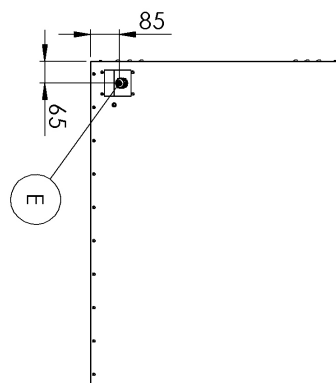
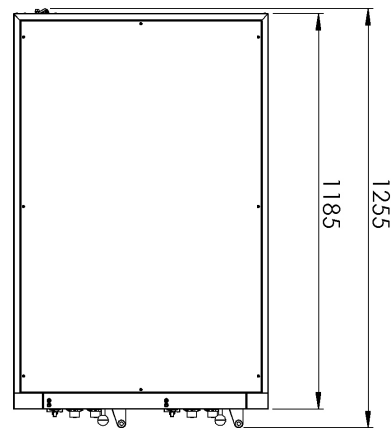
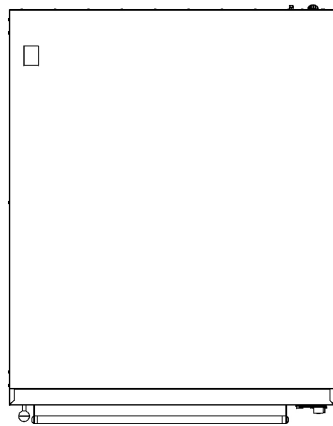
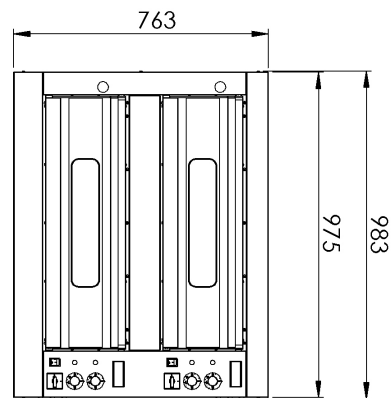


Pizza oven 2 chambers 12x d=33 cm

Model

SAP Code

00007283



Technical data sheet

Product benefits



Pizza oven 2 chambers 12x d=33 cm

Model

SAP Code

00007283

1

Stainless steel outer shell construction

easy cleaning, high hygienic standard, long service life

- cost savings on the purchase of a new machine, time savings on cleaning and cleaning comfort

2

Chamber heating in the temperature range of 50 to 450°C

the temperature range enables the preparation of various types of dough and meat; can also be used for baking

- we have a crispy pizza in a short time - I can make a pizza according to the dough, the customer does not wait long and the operator serves multiple customers - multiple turns in one oven

3

Fireclay plate 14mm placed below with heaters under the plate

proper accumulation and uniformity of heat distribution

- no scorching and the pizza is evenly cooked and does not burn, no temperature fluctuation, no need for the cook to check and adjust the baking, lower demands on the knowledge and skills of the pizza maker

4

Glass set in the door

checking the product during heat treatment without having to open the door

- I don't lose temperature when baking by unnecessarily opening the door without glass, saving energy

5

2x thermostat, separate control of upper and lower heaters

more precise regulation of heat in the chamber, according to the type of dough or food

- better final quality of the product; no burning, variability - suitable for different treatments, better comfort for the experienced cook, suitable for professionals

6

Digital chamber thermometer

better visibility than analog
accurate data

- easier operation

Technical data sheet

Technical parameters



Pizza oven 2 chambers 12x d=33 cm

Model

SAP Code

00007283

1. SAP Code:

00007283

2. Net Width [mm]:

975

3. Net Depth [mm]:

1185

4. Net Height [mm]:

763

5. Net Weight [kg]:

178.00

6. Gross Width [mm]:

1285

7. Gross depth [mm]:

1075

8. Gross Height [mm]:

863

9. Gross Weight [kg]:

180.00

10. Exterior color of the device:

Stainless steel

11. Material:

Stainless steel

12. Device type:

Electric unit

13. Power electric [kW]:

14.400

14. Loading:

400 V / 3N - 50 Hz

15. Control type:

Mechanical

16. Width of internal part [mm]:

700

17. Depth of internal part [mm]:

1050

18. Height of internal part [mm]:

150

19. Minimum device temperature [°C]:

50

20. Maximum device temperature [°C]:

450

21. Stacking availability:

Yes

22. Pizza capacity [cm]:

12x 33 cm

23. Thermometer:

Analog

24. Indicators:

running and heating the oven

25. Number of internal parts:

12

26. On/Off button:

Yes

27. Type of handle:

in the entire length of the door, stainless steel

28. Steam protection:

Yes

Technical data sheet

Technical parameters



Pizza oven 2 chambers 12x d=33 cm

Model

SAP Code

00007283

29. Protection of controls:

IPX4

30. Stoneplates:

Bottom and top

31. Stone plates thickness [mm]:

14

32. Independent heating zones:

Separate control for each chamber

33. Type of construction:

two-story

34. Interior lighting:

Yes

35. Safety element:

thermostat

36. Number of cavities:

2

37. Chimney for moisture extraction:

Yes

38. Adjustable chimney:

Yes